

## HG-PA272 Lift Assist Hinge (Rear External Mount)

Lift assist · Soft close · 35 ~ 50 N.m torque

### Features

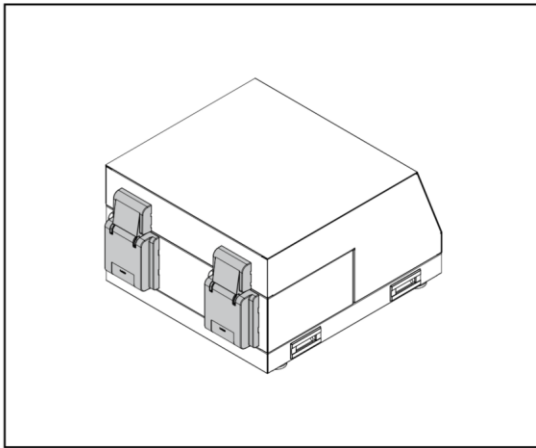
- **Lift assist:** Easy to lift heavy top-opening lids due to spring tension
- **Soft close:** Built-in damper prevents lids from slamming shut.
- Torque is adjustable by turning the adjustment screw ( $\pm 5\%$ )
- Comes with a cover to hide the mounting screws
- Designed for use under the condition that lid's centre of gravity is at a higher position than the rotational centre (angle of torque peak is about  $20^\circ$ )

### Notes

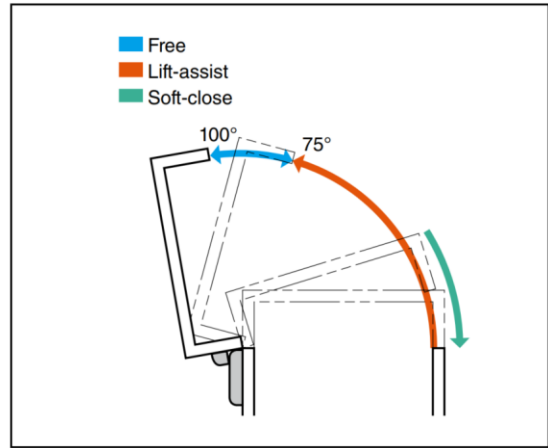
- Install a stopper (not included) on the cabinet to prevent from exceeding the operating angle during opening or closing



Outside Back Mount



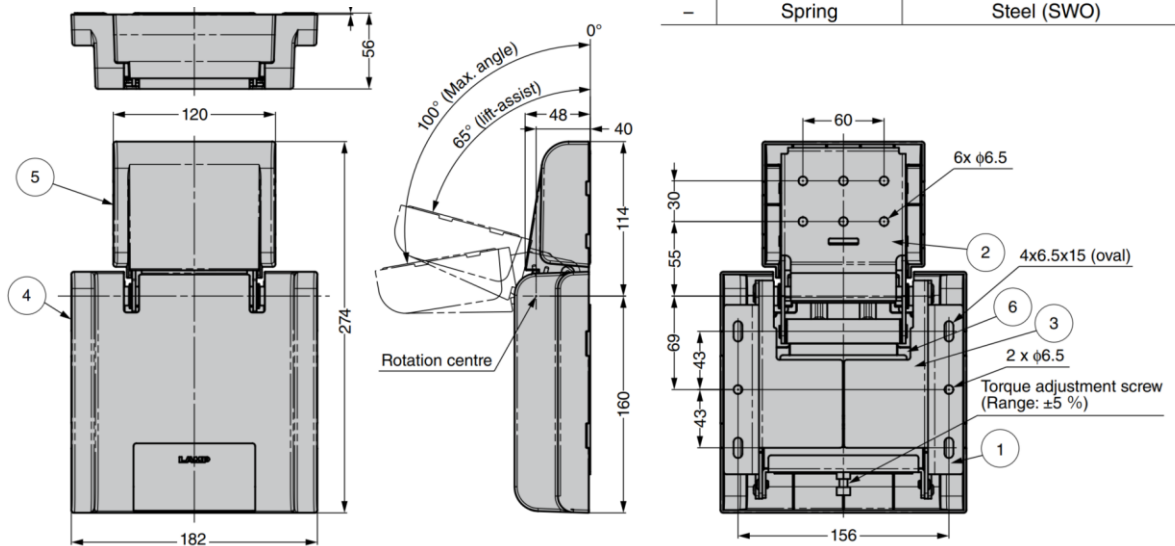
Operating range



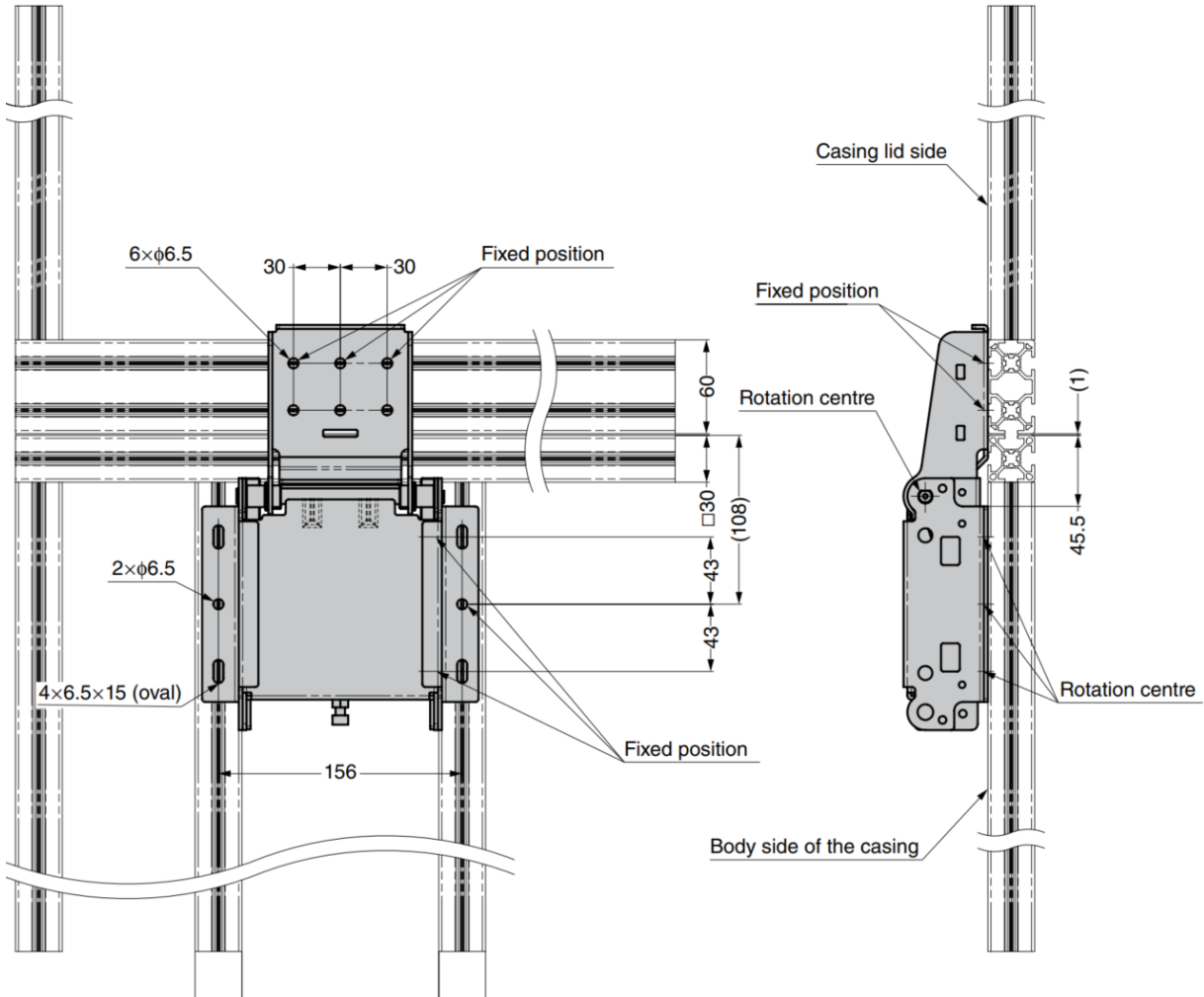
### Suitable Aluminium Frame

Door	Frame	Gutter width
30x60mm	30x30mm	8 mm

No.	Part Name	Material /Colour
①	Base A	Stainless Steel (SUS430)
②	Base B	
③	Case	PBT/ Light Grey
④	Cover A	
⑤	Cover B	POM
⑥	Slider	
-	Spring	Steel (SWO)



Aluminium Frame Installation Diagram



- Recommended mounting screw, AS nut
- AS Nuts: AS8M5: 12 pieces
- Hexagon socket head bolt M5x12 with plain washers and mounting plate: 12 pieces

Part No.	Torque (per piece)	
HG-PA272-35	35 $\pm 10\%$ N.m	357 $\pm 10\%$ kgf.cm
HG-PA272-50	50 $\pm 10\%$ N.m	510 $\pm 10\%$ kgf.cm